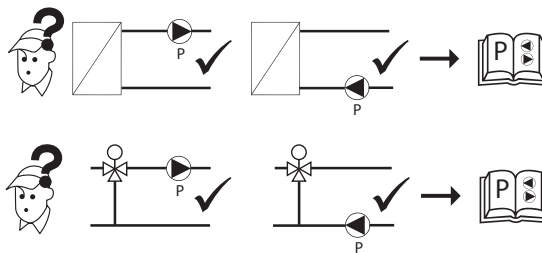
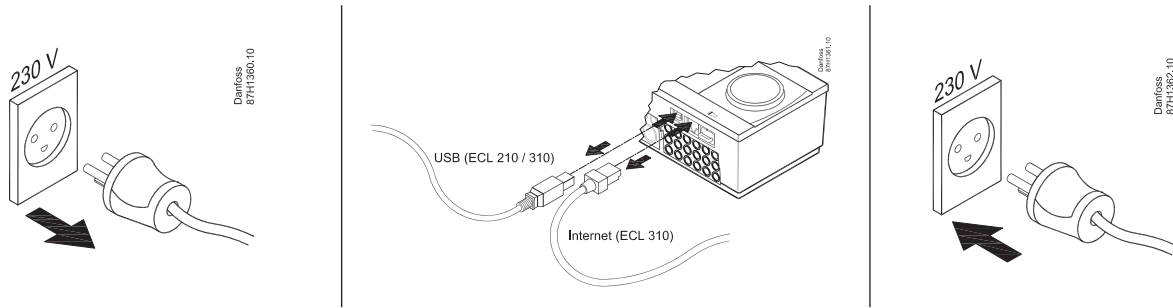
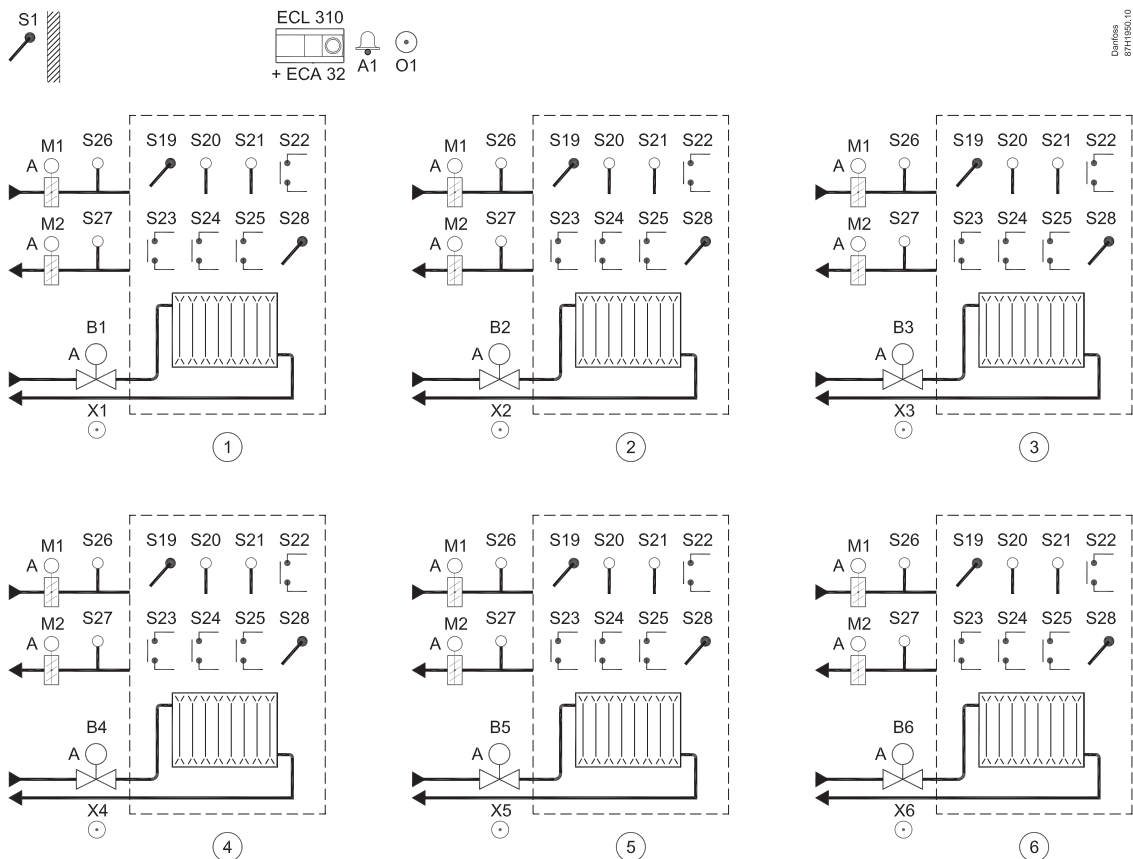


Installation Guide

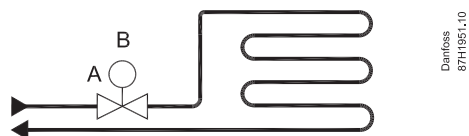
ECL Comfort 310, 24 Volt, P302 (code no. 087H3839) (P302.1)



P302.1



Alternative



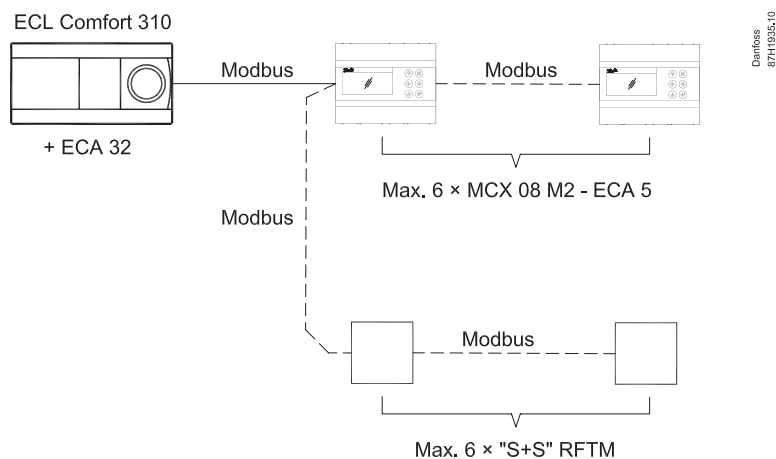
DK



System

	Inputs:	Outputs:
ECL Comfort 310 + ECA 32 <small>Danfoss 87H1952.10</small>	S1, (S2, S3, S4, S5, S6, S7)	B1, B2, B3, B4, B5, B6 X1, X2, X3, X4, X5, X6 ECA 32: A1, O1
MCX 08 M2 - ECA 5 <small>Danfoss 87H1953.10</small>	S22 (DI 1), S23 (DI 2), S24 (DI 3), S25 (DI 4), DI 6, DI 7, DI 8 S26 (AI 1), S27 (AI 2), S28 (AI 4)	AO 2 M1 (AO 3), M2 (AO 4) DO 3, DO 4, DO 5, DO 7
"S+S" RFTM <small>Danfoss 87H1954.10</small>	S19, S20, S21	

Modbus system



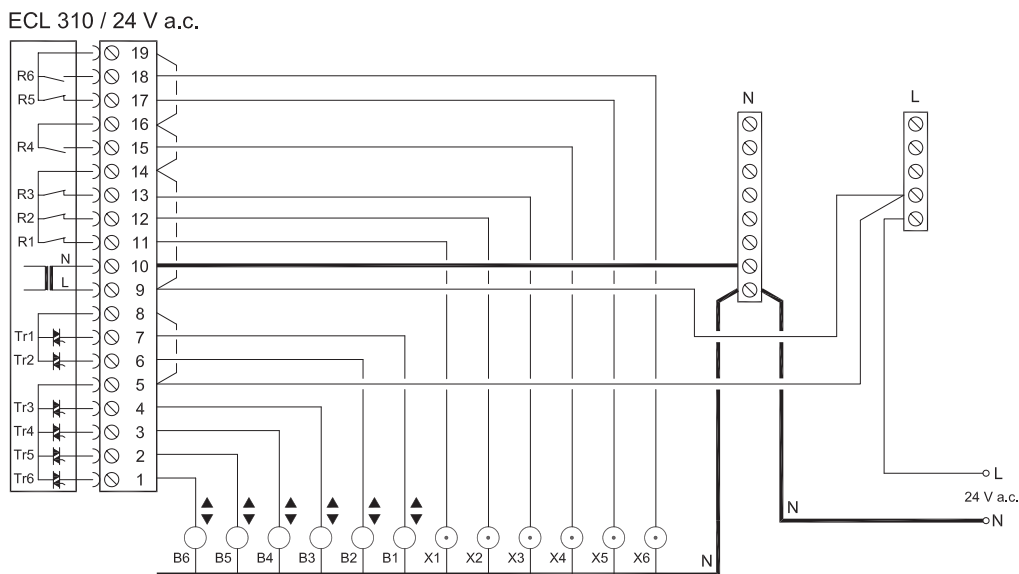
ECL Comfort 310
24 V a.c.

R		4 (2) A / 24 V a.c.
R		
Tr		1 A / 24 V a.c.

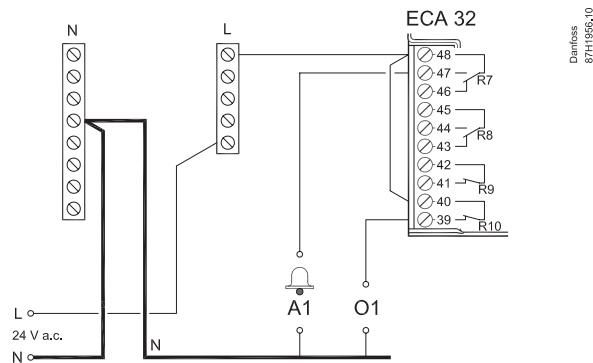
ECL Comfort 310 / MCX 08 M2 - ECA 5

	ECL 310		MCX 08 M2 - ECA 5 #1, #2, #3, #4, #5, #6
B1	Tr. 1	~	AO 2 / DO 5
B2	Tr. 2	~	AO 2 / DO 5
B3	Tr. 3	~	AO 2 / DO 5
B4	Tr. 4	~	AO 2 / DO 5
B5	Tr. 5	~	AO 2 / DO 5
B6	Tr. 6	~	AO 2 / DO 5

ECL Comfort 310, 24 V a.c.



ECA 32, 24 V a.c.



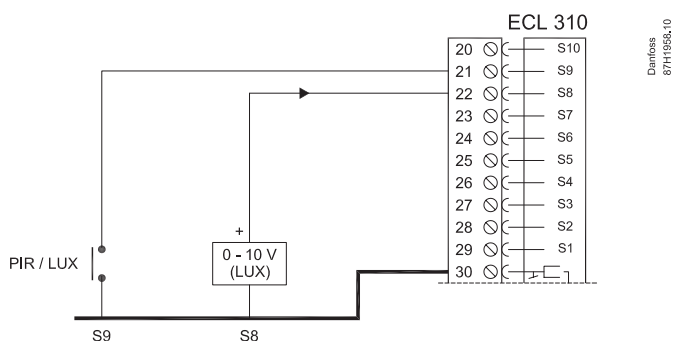
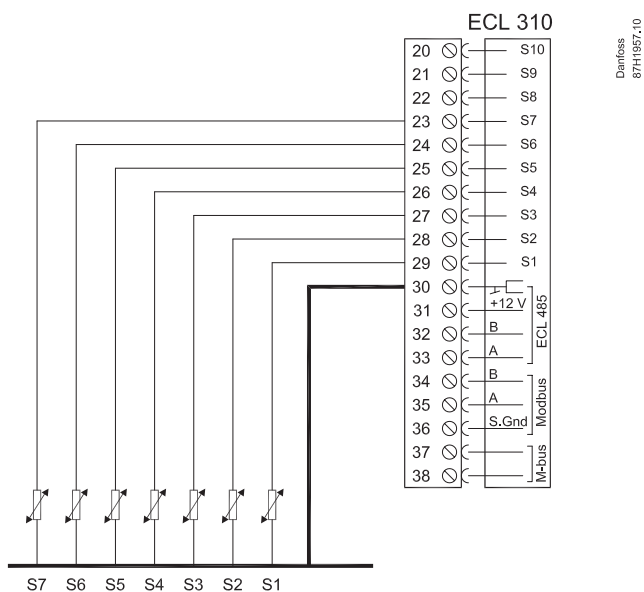
MCX 08 M2 - ECA 5



ECL Comfort 310
P302.1

ECL Comfort 310

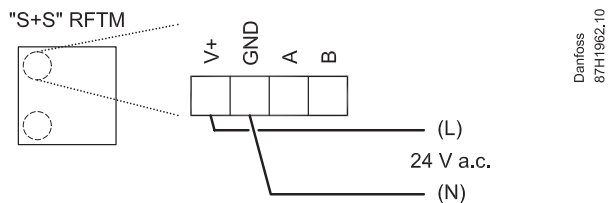
S1	Pt 1000		
S2	Pt 1000	~	S19 (zone 1), RFTM
S3	Pt 1000	~	S19 (zone 2), RFTM
S4	Pt 1000	~	S19 (zone 3), RFTM
S5	Pt 1000	~	S19 (zone 4), RFTM
S6	Pt 1000	~	S19 (zone 5), RFTM
S7	Pt 1000	~	S19 (zone 6), RFTM
S8	LUX (0 - 10 Volt)		
S9	PIR / LUX (Digital)		



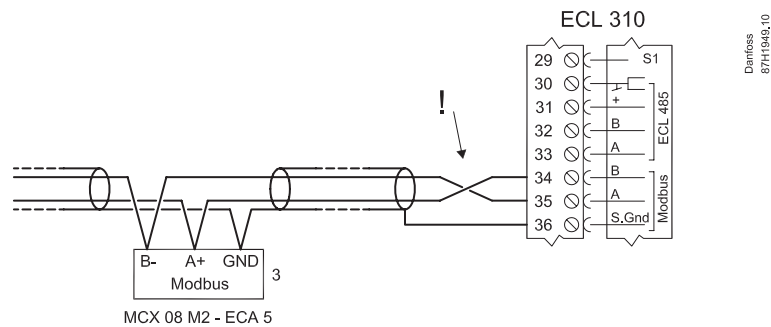
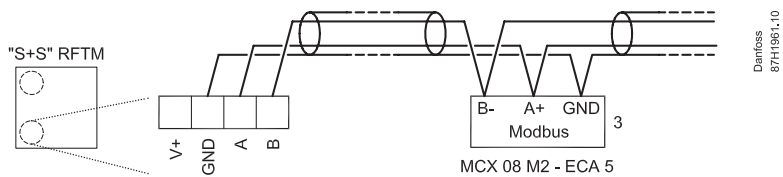
"S+S", RFTM

S19	RFTM	Temperature
S20	RFTM	PPM
S21	RFTM	% RH

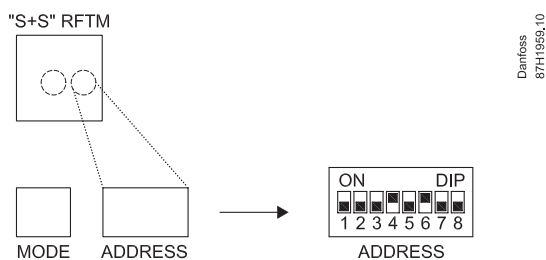
**Power
24 Volt a.c.**



Modbus

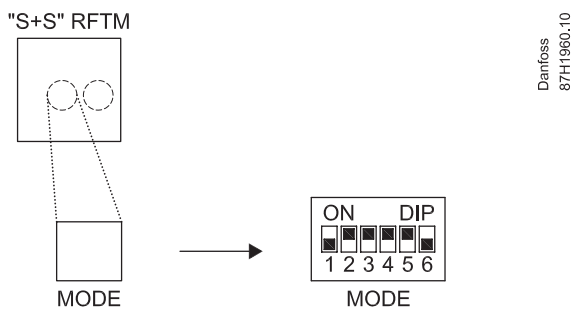


Address



DIP	1	2	3	4	5	6	7	8
Address								
#1	OFF	OFF	OFF	ON	OFF	OFF	OFF	ON
#2	OFF	OFF	OFF	ON	OFF	OFF	ON	OFF
#3	OFF	OFF	OFF	ON	OFF	OFF	ON	ON
#4	OFF	OFF	OFF	ON	OFF	ON	OFF	OFF
#5	OFF	OFF	OFF	ON	OFF	ON	OFF	ON
#6	OFF	OFF	OFF	ON	OFF	ON	ON	OFF

Modes



DIP	1	2		DIP	3		DIP	4		DIP	5		DIP	6	
Baud rate				Parity			Parity check			8N1-modus			Bus termination		
9600	ON	OFF		Even	ON	✓	Active (1 stop bit)	ON	✓	Active	ON	✓	Active	ON	
19200	ON	ON		Odd	OFF		Inactive (no parity) (2 stop bits)	OFF		Inactive	OFF		Inactive	OFF	✓
38400	OFF	ON	✓												

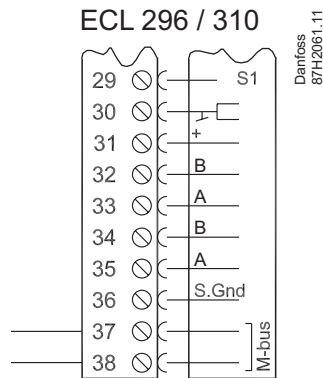
MCX 08 M2 - ECA 5



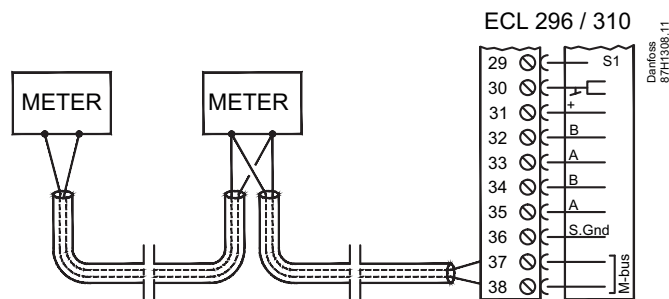
MCX 08 M2 - ECA 5

S22	MCX	PIR, digital	Digital
S23	MCX	WINDOW	Digital
S24	MCX	Contact	Digital
S25	MCX	Contact	Digital
S26	MCX	VAV inlet volume	0 - 10 V
S27	MCX	VAV outlet volume	0 - 10 V
S28	MCX	Temperature, window	Pt 1000

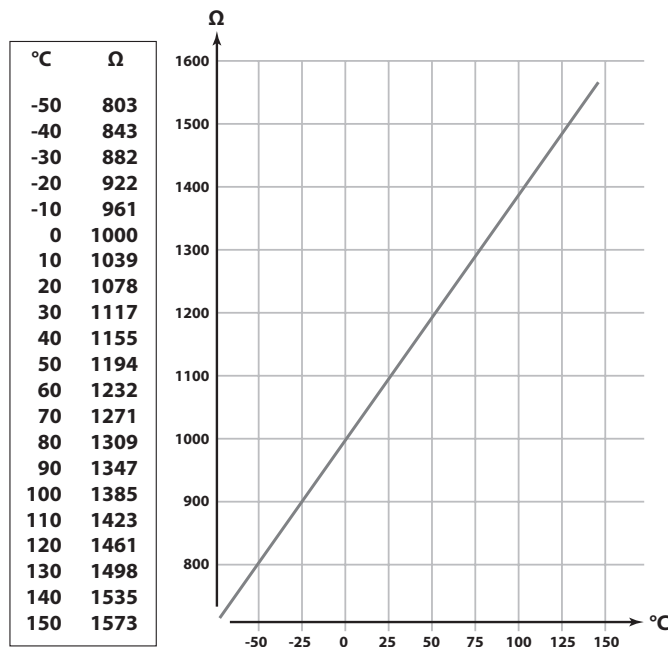
M-bus



M-bus



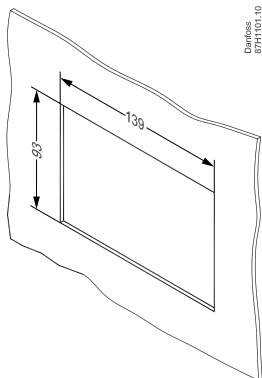
Pt 1000 (IEC 751B, 1000 Ω / 0 °C)



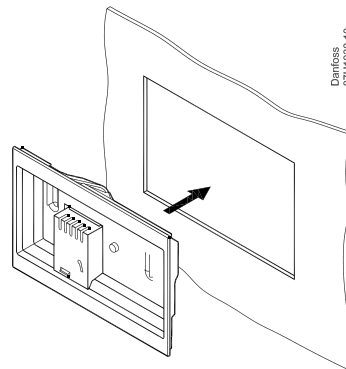
Installation Guide, ECL Comfort 310, 24 Volt, P302

ECA 30

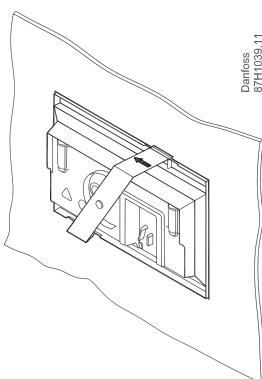
1



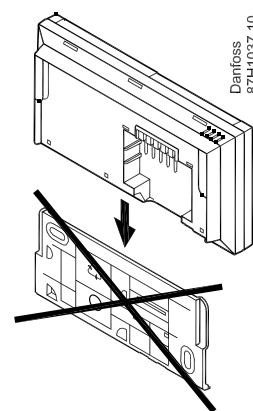
2



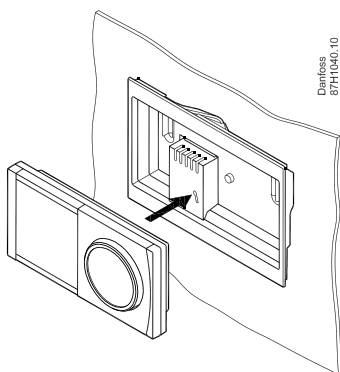
3



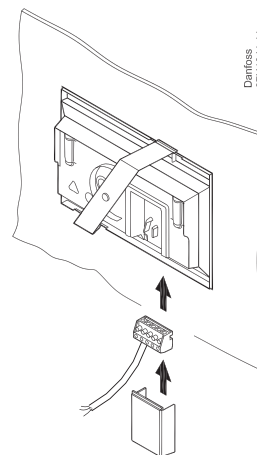
4



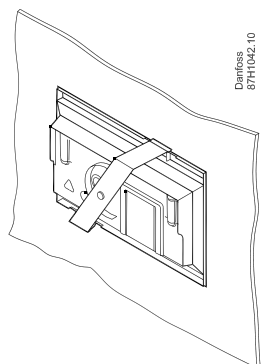
5



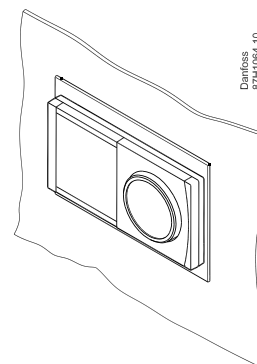
6



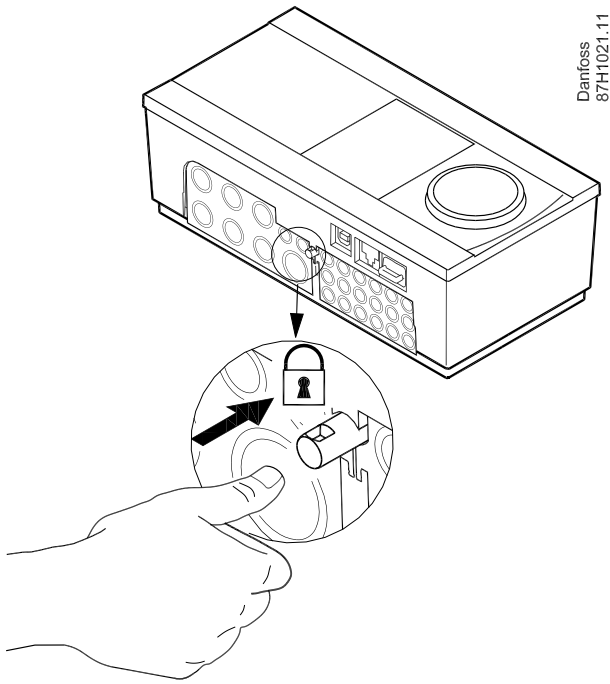
7



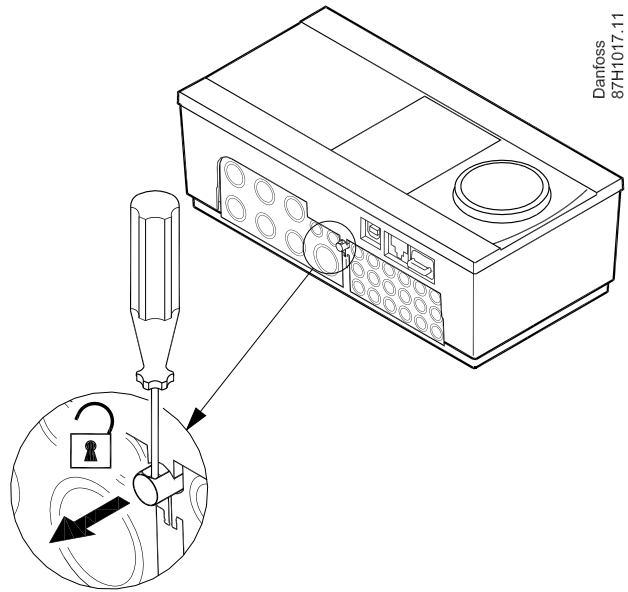
8



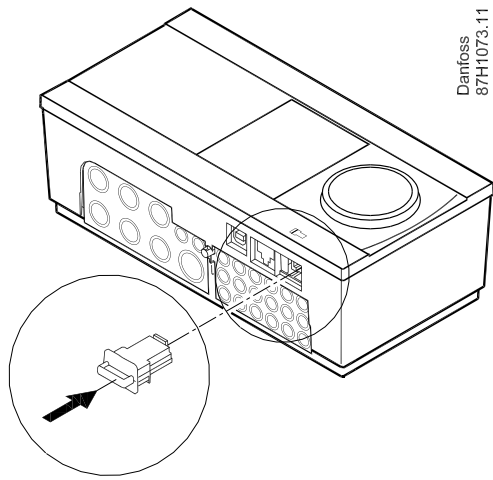
Installation Guide, ECL Comfort 310, 24 Volt, P302



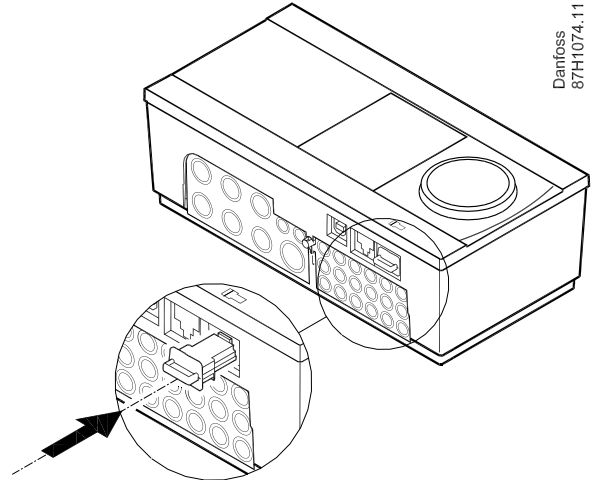
Danfoss
87H1021.11



Danfoss
87H1017.11



Danfoss
87H1073.11



Danfoss
87H1074.11

? **ECL Comfort 310, P302: www.danfoss.com or store.danfoss.com**

? **<https://www.youtube.com/user/Danfoss> Climate Solutions for heating
-> Playlists -> How-to Videos -> District Energy installation videos**



Danfoss A/S
Climate Solutions • danfoss.com • +45 7488 2222



Any information, including, but not limited to information on selection of product, its application or use, product design, weight, dimensions, capacity or any other technical data in product manuals, catalogues descriptions, advertisements, etc. and whether made available in writing, orally, electronically, online or via download, shall be considered informative, and is only binding if and to the extent, explicit reference is made in a quotation or order confirmation. Danfoss cannot accept any responsibility for possible errors in catalogues, brochures, videos and other material. Danfoss reserves the right to alter its products without notice. This also applies to products ordered but not delivered provided that such alterations can be made without changes to form, fit or function of the product.
All trademarks in this material are property of Danfoss A/S or Danfoss group companies. Danfoss and the Danfoss logo are trademarks of Danfoss A/S. All rights reserved.